



Secureguard Range

Low surface temperature (LST) anti-ligature radiators



Features and Benefits

- Low surface temperature (LST)
- Finished in RAL 9016 (Traffic White) antimicrobial paint (other colours available on request)
- Easy-fit 2 piece supply (frame and front cover)
- Kick bar at the bottom of the frame, securable to the floor along the length for rigidity
- Removable front cover for cleaning access
- Interlocking front cover and frame to prevent upwards removal

Material: Fully welded Zintec steel casing (2mm)

Heights: 625 - 1225mm

Widths: 700 - 3100mm

Style B Models: 258 **Outputs:** 212 - 5536 watts

Style T Models: 286 **Outputs:** 212 - 5536 watts



Secureguard product range

Secureguard Style B -

Top outlet grille and front facing lower inlet grille.



Secureguard Style T -

Solid top with front facing outlet and inlet grilles.



Key features

All Secureguard LST radiators are supplied complete with a panel radiator, with a choice of a Type 11 (120mm depth casing), a Type 22 (180mm depth) or a Type 33 (240mm depth). All the radiators have a maximum working pressure of 10 bar (13 bar test).

- Anti-ligature.
- Low surface temperature (LST).
- Robust and tamper resistant 2mm thick fully welded Zintec steel casing.
- Finished in RAL 9016 (Traffic White) antimicrobial paint (other colours available on request at additional cost).
- Easy-fit 2 piece supply (frame and front cover).
- Flat rear edge for sealing the frame to the wall with an anti-pick mastic (supply by others).
- Kick bar at the bottom of the frame, securable to the floor along the length for rigidity.
- Removable front cover for cleaning access. Front cover is interlocking with frame to prevent upwards removal.
- Bull-nose corners on top front edges and 27mm radius edges provide robustness and minimise impact trauma.
- All casing joins visible on the front or top to minimise opportunity for concealment.
- 2.5mm outlet holes on a 4.6mm triangular pitch for ligature resistance with optimum performance to maintain LST criteria.
- 2mm outlet holes on a 4mm triangular pitch to comply with Home Office Police Buildings Design Guide - Custody section PD3.02.14 Grilles (July 2009) are available. N.B. While the majority of the cover is below 43°C, restricted size apertures elevate the grille temperature above the LST criteria.
- Front facing key locks (tamper resistant security screws available on request).
- Choice of internal or external valve options including a unique, slim-fitting anti-ligature external TRV control.
- Bespoke options such as square edges, corner units and continuous casings available upon request.

Secureguard casing styles

Casings

All casings are constructed from 2mm thick fully welded Zintec steel, painted in RAL9016 (Traffic White) with an antimicrobial finish. Other colours are available at additional cost. As standard, the grilles are perforated with 2.5mm diameter holes at 4.6mm centres, in a triangular pitch formation. Each case is also supplied with a removable front cover and 2 front facing key locks, allowing easy access for venting, cleaning and maintenance.

Style B cases have a top outlet grille and front facing inlet grille.

Style T cases have a solid top with front facing outlet and inlet grilles.

Test and working pressures

All radiators are suitable for maximum test pressure of 13 bar and maximum working pressure of 10 bar.

Panel radiators

Type 11 is a single panel single convector. To be installed in 120mm deep casing.

Type 22 is a double panel double convector. To be installed in 180mm deep casing.

Type 33 is a triple panel triple convector. To be installed in a 240mm deep casing.

Warranty

Each Secureguard LST radiator is backed by a 5 year warranty in respect of defective materials and manufacturing defects.



How to specify

- 1 Calculate the heat losses to be satisfied by the **Secureguard LST** (prefix code SG).
- 2 Choose the casing style and type for the room application
Example: Style B Type 22 = B-22
- 3 Select the casing height.
Example: 625mm height = 0625/
- 4 Select the casing width.
Example: 1600mm width = 1600
- 5 Apply the correction factor if LPHW conditions are not $\Delta T = 50^{\circ}\text{C}$.

Example
Code:

SGB - 22 - 0625 / 1600			
SGB	22	0625	1600
Secureguard Style B Type 22	(Height) 625mm	(Width) 1600mm	(Depth) 180mm

Secureguard Outputs

Style B Type 11 (Case Depth 120mm)

Case Height (mm)	Case Width (mm)																
	700	800	900	1000	1100	1200	1300	1400	1500	1700	1900	2100	2300	2500	2700	2900	3100
	Output Watts Δt 50°C																
625	212	266	319	372	425	479	532	585	639	745	852	958	1065	1172	1278	1384	1491
725	256	320	384	448	512	576	641	705	769	897	1026	1154	1283	1411	1539	1668	1796
825	298	373	448	522	597	672	747	821	896	1045	1195	1344	1494	1643	1792	1942	2092
925	337	422	507	591	676	760	-	929	1014	1183	1352	1521	1691	1860	2028	2198	2367
1125	414	517	621	724	828	932	1036	-	1243	1450	1657	1864	2072	2279	2486	2693	2900

Style B Type 22 (Case Depth 180mm)

Case Height (mm)	Case Width (mm)																		
	700	800	900	1000	1100	1200	1300	1400	1500	1600	1700	1800	1900	2100	2300	2500	2700	2900	3100
	Output Watts Δt 50°C																		
625	396	496	595	694	793	892	992	1092	1191	1290	1389	1488	1588	1786	1985	2184	2382	2580	2779
725	477	597	716	836	956	1075	1195	1314	1433	1553	1672	1792	1912	2151	2390	2628	2868	3107	3346
825	556	695	833	972	1112	1251	1390	1528	1668	1807	1946	2085	2224	2502	2780	3058	3336	3614	3892
925	631	789	947	1104	1263	1420	1579	1736	1894	2052	2210	2368	2526	2842	3158	3473	3789	4105	4421
1125	776	971	1165	1360	1554	1748	1943	2136	2331	2525	2720	2914	3108	3497	3886	4274	4663	5052	5440

Style B Type 33 (Case Depth 240mm)

Case Height (mm)	Case Width (mm)																		
	700	800	900	1000	1100	1200	1300	1400	1500	1600	1700	1800	1900	2100	2300	2500	2700	2900	3100
	Output Watts Δt 50°C																		
625	-	-	849		1132	-	1416	-	1699	1840	1982	2124	2265	2548	2832	3115	3398	3681	3964
725	-	-	1022	1192	1363	1533	1704	1875	2045	2216	2386	2556	2727	3068	3409	3750	4091	4432	4772
825	-	-	1186	1384	1581	1779	1977	2175	2372	2570	2768	2966	3164	3559	3955	4350	4745	5141	5536
925	894	1117	1341	1564	1788	2012	2236	2459	2683	2906	3130	3353	3577	4024	4472	4919	5366	-	-
1125	1085	1357	1628	1900	2172	2443	2715	2986	3257	3529	3800	4072	4344	4887	5430	-	-	-	-

Style T Type 11 (Case Depth 120mm)

Case Height (mm)	Case Width (mm)																
	700	800	900	1000	1100	1200	1300	1400	1500	1700	1900	2100	2300	2500	2700	2900	3100
	Output Watts Δt 50°C																
725	212	266	319	372	425	479	532	585	639	745	852	958	1065	1172	1278	1384	1491
825	256	320	384	448	512	576	641	705	769	897	1026	1154	1283	1411	1539	1668	1796
925	298	373	448	522	597	672	747	821	896	1045	1195	1344	1494	1643	1792	1942	2092
1025	337	422	507	591	676	760	-	929	1014	1183	1352	1521	1691	1860	2028	2198	2367
1225	414	517	621	724	828	932	1036	-	1243	1450	1657	1864	2072	2279	2486	2693	2900

Style T Type 22 (Case Depth 180mm)

Case Height (mm)	Case Width (mm)																		
	700	800	900	1000	1100	1200	1300	1400	1500	1600	1700	1800	1900	2100	2300	2500	2700	2900	3100
	Output Watts Δt 50°C																		
625	-	-	468	-	624	-	780	-	936	1013	1092	1169	1248	1404	1560	1716	1872	2028	2184
725	396	496	595	694	793	892	992	1092	1191	1290	1389	1488	1588	1786	1985	2184	2382	2580	2779
825	477	597	716	836	956	1075	1195	1314	1433	1553	1672	1792	1912	2151	2390	2628	2868	3107	3346
925	556	695	833	972	1112	1251	1390	1528	1668	1807	1946	2085	2224	2502	2780	3058	3336	3614	3892
1025	631	789	947	1104	1263	1420	1579	1736	1894	2052	2210	2368	2526	2842	3158	3473	3789	4105	4421
1225	776	971	1165	1360	1554	1748	1943	2136	2331	2525	2720	2914	3108	3497	3886	4274	4663	5052	5440

Style T Type 33 (Case Depth 240mm)

Case Height (mm)	Case Width (mm)																		
	700	800	900	1000	1100	1200	1300	1400	1500	1600	1700	1800	1900	2100	2300	2500	2700	2900	3100
	Output Watts Δt 50°C																		
625	-	-	664	-	886	-	1108	-	1330	1440	1552	1663	1773	1995	2217	2439	2660	2882	3104
725	-	-	849	-	1132	-	1416	-	1699	1840	1982	2124	2265	2548	2832	3115	3398	3681	3964
825	-	-	1022	1192	1363	1533	1704	1875	2045	2216	2386	2556	2727	3068	3409	3750	4091	4432	4772
925	-	-	1186	1384	1581	1779	1977	2175	2372	2570	2768	2966	3164	3559	3955	4350	4745	5141	5536
1025	894	1117	1341	1564	1788	2012	2236	2459	2683	2906	3130	3353	3577	4024	4472	4919	5366	-	-
1225	1085	1357	1628	1900	2172	2443	2715	2986	3257	3529	3800	4072	4344	4887	5430	-	-	-	-

Secureguard

Case weights

Style B Type 11 (Case Depth 120mm)

Case Height (mm)	Case Width (mm)																
	700	800	900	1000	1100	1200	1300	1400	1500	1700	1900	2100	2300	2500	2700	2900	3100
	Case Weight (kg)																
625	16	17	18	20	21	23	24	25	27	30	33	35	38	41	44	47	50
725	18	19	21	22	24	25	27	28	30	33	36	39	43	46	49	52	55
825	19	21	22	24	26	28	30	31	33	36	40	43	47	50	54	57	61
925	21	23	25	27	28	30	-	34	36	40	44	47	51	55	59	63	66
1125	25	27	29	32	34	36	38	-	43	47	51	56	60	65	69	73	78

Style B Type 22 (Case Depth 180mm)

Case Height (mm)	Case Width (mm)																		
	700	800	900	1000	1100	1200	1300	1400	1500	1600	1700	1800	1900	2100	2300	2500	2700	2900	3100
	Case Weight (kg)																		
625	17	19	20	22	23	25	27	28	30	31	33	34	35	38	42	45	48	51	54
725	20	21	23	25	26	28	30	31	33	35	36	38	40	43	46	50	53	56	60
825	22	23	25	27	29	31	33	34	36	38	40	42	43	47	51	54	58	62	65
925	24	25	27	30	31	33	35	37	39	41	43	45	47	51	55	59	63	67	71
1125	28	30	32	35	37	39	41	44	46	48	51	53	55	60	65	69	74	78	83

Style B Type 33 (Case Depth 240mm)

Case Height (mm)	Case Width (mm)																		
	700	800	900	1000	1100	1200	1300	1400	1500	1600	1700	1800	1900	2100	2300	2500	2700	2900	3100
	Case Weight (kg)																		
625	-	-	22		26	-	29	-	32	34	35	37	38	42	45	48	52	55	58
725	-	-	25	27	28	30	32	34	36	37	39	41	43	46	50	53	57	60	64
825	-	-	27	30	31	33	35	37	39	41	43	45	47	51	55	58	62	66	70
925	26	28	30	32	34	36	38	40	43	45	47	49	51	55	59	63	68	-	-
1125	30	33	35	38	40	42	45	47	50	52	54	57	59	64	69	-	-	-	-

Style T Type 11 (Case Depth 120mm)

Case Height (mm)	Case Width (mm)																
	700	800	900	1000	1100	1200	1300	1400	1500	1700	1900	2100	2300	2500	2700	2900	3100
	Case Weight (kg)																
725	19	21	23	25	27	29	31	33	35	38	42	46	50	54	57	61	65
825	21	23	25	27	29	31	33	35	37	41	46	50	54	58	62	66	71
925	23	25	27	29	31	34	36	38	41	45	49	54	58	63	67	72	76
1025	25	27	29	32	34	37	-	41	44	49	53	58	63	68	72	77	82
1225	29	31	34	37	39	42	45	-	50	55	61	66	72	77	82	88	93

Style T Type 22 (Case Depth 180mm)

Case Height (mm)	Case Width (mm)																		
	700	800	900	1000	1100	1200	1300	1400	1500	1600	1700	1800	1900	2100	2300	2500	2700	2900	3100
	Case Weight (kg)																		
625	-	-	23	-	27	-	31	-	35	37	39	41	42	46	50	54	58	61	65
725	22	24	26	28	30	32	34	36	38	40	42	44	46	50	55	59	63	67	71
825	24	26	28	30	32	35	37	39	41	44	46	48	50	55	59	64	68	72	77
925	26	28	30	33	35	38	40	42	45	47	49	52	54	59	64	68	73	78	83
1025	28	30	33	35	38	41	43	46	48	51	53	56	58	63	68	73	79	84	89
1225	32	35	38	41	43	46	49	52	55	58	60	63	66	72	78	83	89	95	100

Style T Type 33 (Case Depth 240mm)

Case Height (mm)	Case Width (mm)																		
	700	800	900	1000	1100	1200	1300	1400	1500	1600	1700	1800	1900	2100	2300	2500	2700	2900	3100
	Case Weight (kg)																		
625	-	-	26	-	30	-	34	-	38	40	42	44	46	51	55	59	63	67	72
725	-	-	28	-	33	-	37	-	42	44	46	49	51	55	60	64	69	73	78
825	-	-	31	33	35	38	41	43	45	48	50	52	55	60	65	69	74	79	84
925	-	-	33	36	38	41	44	46	49	51	54	56	59	64	69	74	79	84	89
1025	31	33	36	39	41	44	47	49	52	55	58	60	63	68	74	79	85	-	-
1225	35	38	41	44	47	50	53	56	59	62	65	68	71	77	83	-	-	-	-

Secureguard

Emitter weights & water contents

Case Type		Type 11 (Case depth 120mm)																		
Style B	Style T																			
Case Height (mm)	Case Height (mm)	Emitter Height (mm)		Case Width (mm)																
				700	800	900	1000	1100	1200	1300	1400	1500	1700	1900	2100	2300	2500	2700	2900	3100
				Emitter Width (mm)																
				400	500	600	700	800	900	1000	1100	1200	1400	1600	1800	2000	2200	2400	2600	2800
625	725	400	Weight kg	3.7	4.6	5.5	6.4	7.4	8.3	9.2	10.1	11.0	12.9	14.7	16.6	18.4	20.2	22.1	23.9	25.8
			Water cont. L	1.00	1.25	1.49	1.74	1.99	2.24	2.49	2.74	2.99	3.49	3.98	4.48	4.98	5.48	5.98	6.47	6.97
725	825	500	Weight kg	4.6	5.7	6.9	8.0	9.2	10.3	11.5	12.6	13.8	16.1	18.4	20.7	23.0	25.3	27.6	29.9	32.2
			Water cont. L	1.13	1.41	1.69	1.97	2.26	2.54	2.82	3.10	3.38	3.95	4.51	5.08	5.64	6.20	6.77	7.33	7.90
825	925	600	Weight kg	5.5	6.9	8.3	9.6	11.0	12.4	13.8	15.1	16.5	19.3	22.0	24.8	27.5	30.3	33.0	35.8	38.6
			Water cont. L	1.27	1.59	1.91	2.23	2.54	2.86	3.18	3.50	3.82	4.45	5.09	5.72	6.36	7.00	7.63	8.27	8.90
925	1025	700	Weight kg	6.4	8.0	9.6	11.3	12.9	14.5	-	17.7	19.3	22.5	25.7	28.9	32.2	35.4	38.6	41.8	45.0
			Water cont. L	1.42	1.78	2.14	2.49	2.85	3.20	-	3.92	4.27	4.98	5.70	6.41	7.12	7.83	8.54	9.26	9.97
1125	1225	900	Weight kg	8.3	10.3	12.4	14.4	16.5	18.6	20.6	-	24.8	28.9	33.0	37.2	41.3	45.4	49.5	53.7	57.8
			Water cont. L	1.77	2.21	2.65	3.09	3.54	3.98	4.42	-	5.30	6.19	7.07	7.96	8.84	9.72	10.61	11.49	12.38

Case Type		Type 22 (Case depth 180mm)																				
Style B	Style T																					
Case Height (mm)	Case Height (mm)	Emitter Height (mm)		Case Width (mm)																		
				700	800	900	1000	1100	1200	1300	1400	1500	1600	1700	1800	1900	2100	2300	2500	2700	2900	3100
				Emitter Width (mm)																		
				400	500	600	700	800	900	1000	1100	1200	1300	1400	1500	1600	1800	2000	2200	2400	2600	2800
-	625	300	Weight kg	-	-	8.1	-	10.8	-	13.5	-	16.2	17.5	18.9	20.2	21.6	24.3	27.0	29.7	32.4	35.1	37.8
			Water cont. L	-	-	2.13	-	2.84	-	3.55	-	4.26	4.62	4.97	5.33	5.68	6.39	7.10	7.81	8.52	9.23	9.94
625	725	400	Weight kg	7.2	9.0	10.8	12.6	14.4	16.2	18.1	19.9	21.7	23.5	25.3	27.1	28.9	32.5	36.1	39.7	43.3	46.9	50.5
			Water cont. L	1.79	2.24	2.68	3.13	3.58	4.02	4.47	4.92	5.36	5.81	6.26	6.71	7.15	8.05	8.94	9.83	10.73	11.62	12.52
725	825	500	Weight kg	9.0	11.3	13.6	15.8	18.1	20.3	22.6	24.9	27.1	29.4	31.7	33.9	36.2	40.7	45.2	49.7	54.3	58.8	63.3
			Water cont. L	2.15	2.69	3.23	3.77	4.30	4.84	5.38	5.92	6.46	6.99	7.53	8.07	8.61	9.68	10.76	11.84	12.91	13.99	15.06
825	925	600	Weight kg	10.9	13.6	16.3	19.0	21.7	24.5	27.2	29.9	32.6	35.3	38.0	40.8	43.5	48.9	54.3	59.8	65.2	70.6	76.1
			Water cont. L	2.51	3.14	3.76	4.39	5.02	5.64	6.27	6.90	7.52	8.15	8.78	9.41	10.03	11.29	12.54	13.79	15.05	16.30	17.56
925	1025	700	Weight kg	12.7	15.9	19.0	22.2	25.4	28.6	31.7	34.9	38.1	41.3	44.4	47.6	50.8	57.1	63.5	69.8	76.2	82.5	88.9
			Water cont. L	2.86	3.57	4.28	5.00	5.71	6.43	7.14	7.85	8.57	9.28	10.00	10.71	11.42	12.85	14.28	15.71	17.14	18.56	19.99
1125	1225	900	Weight kg	16.3	20.4	24.5	28.6	32.7	36.8	40.9	44.9	49.0	53.1	57.2	61.3	65.4	73.5	81.7	89.9	98.1	106.2	114.4
			Water cont. L	3.54	4.42	5.30	6.19	7.07	7.96	8.84	9.72	10.61	11.49	12.38	13.26	14.14	15.91	17.68	19.45	21.22	22.98	24.75

Case Type		Type 33 (Case depth 240mm)																				
Style B	Style T																					
Case Height (mm)	Case Height (mm)	Emitter Height (mm)		Case Width (mm)																		
				700	800	900	1000	1100	1200	1300	1400	1500	1600	1700	1800	1900	2100	2300	2500	2700	2900	3100
				Emitter Width (mm)																		
				400	500	600	700	800	900	1000	1100	1200	1300	1400	1500	1600	1800	2000	2200	2400	2600	2800
-	625	300	Weight kg	-	-	12.1	-	16.2	-	20.2	-	24.2	26.2	28.3	30.3	32.3	36.3	40.4	44.4	48.5	52.5	56.5
			Water cont. L	-	-	3.17	-	4.23	-	5.29	-	6.35	6.88	7.41	7.94	8.46	9.52	10.58	11.64	12.70	13.75	14.81
625	725	400	Weight kg	-	-	16.2	-	21.6	-	27.0	-	32.4	35.1	37.8	40.5	43.2	48.6	54.0	59.4	64.8	70.3	75.7
			Water cont. L	-	-	4.03	-	5.37	-	6.71	-	8.05	8.72	9.39	10.07	10.74	12.08	13.42	14.76	16.10	17.45	18.79
725	825	500	Weight kg	-	-	20.3	23.7	27.1	30.5	33.9	37.2	40.6	44.0	47.4	50.8	54.2	60.9	67.7	74.5	81.3	88.0	94.8
			Water cont. L	-	-	4.84	5.65	6.46	7.26	8.07	8.88	9.68	10.49	11.30	12.11	12.91	14.53	16.14	17.75	19.37	20.98	22.60
825	925	600	Weight kg	-	-	24.4	28.5	32.6	36.6	40.7	44.8	48.8	52.9	57.0	61.1	65.1	73.3	81.4	89.5	97.7	105.8	114.0
			Water cont. L	-	-	5.63	6.57	7.51	8.45	9.39	10.33	11.27	12.21	13.15	14.09	15.02	16.90	18.78	20.66	22.54	24.41	26.29
925	1025	700	Weight kg	19.0	23.8	28.5	33.3	38.0	42.8	47.5	52.3	57.0	61.8	66.5	71.3	76.0	85.6	95.1	104.6	114.1	-	-
			Water cont. L	4.26	5.33	6.39	7.46	8.52	9.59	10.65	11.72	12.78	13.85	14.91	15.98	17.04	19.17	21.30	23.43	25.56	-	-
1125	1225	900	Weight kg	24.5	30.6	36.7	42.8	49.0	55.1	61.2	67.3	73.4	79.5	85.7	91.8	97.9	110.1	122.4	-	-	-	-
			Water cont. L	5.21	6.51	7.81	9.11	10.42	11.72	13.02	14.32	15.62	16.93	18.23	19.53	20.83	23.44	26.04	-	-	-	-

Installation sequence

Step 1



Install radiator in accordance with the installation instructions. The radiator should be installed centrally to the case (assuming opposite end connections) and fitted 100mm from finished floor level.

Step 2



Fit the valve body and lockshield valves (noting that unless otherwise indicated, the TRV body should be on the flow side of the pipework). With the system filled, vent the radiator to expel all air.

Step 3 (Note if internal valves are being used, skip to Step 4)

Preparing the external anti-ligature shroud and TRV head for installation



Screw 4 x M4 grub screws (supplied) to the shroud (Pic.1) in rear of shroud as shown in Pic.2.



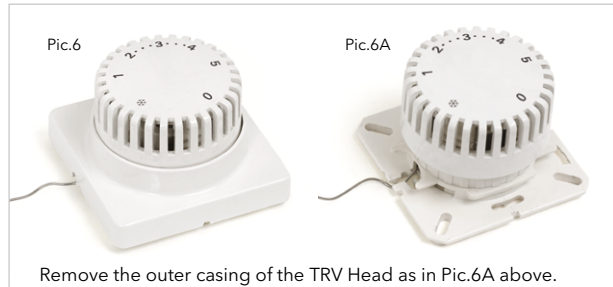
Offer shroud to the external cut out with the end of the solid blue mark at the top as in Pic.3.



Pic.4 shows shroud fixing from inside the case.



Match the internal bracket as shown in Pic.5 and secure with M4 nuts and washers supplied.



Remove the outer casing of the TRV Head as in Pic.6A above.



Pic.7

Align the anti-ligature dial with the TRV head.

Note: The hole in the dial adjacent to the handle is to be aligned with the zero on the TRV head. Push the dial fully onto the TRV head and fix with 3 x M3 grub screws (supplied) ensuring that they are inserted flush with the dial.



Pic.8

Fix the TRV to the backplate with the M4 nuts/bolts/washers provided, as shown in Pic.8 above.



Pic.9

Fit the assembly to the bracket using the M4 screws provided and align the dial central in the TRV shroud before fully tightening.

Step 4



Align the case to the final position as shown in image above, then mark the required wall and floor fixing holes. (Alternatively, use the table below for pre-drilling fixing holes).



Drill the wall and floor and secure using appropriate fixings (not supplied). A choice of key hole slots and circular holes are provided in the rear of the casing. Use the required number to ensure a secure fit. It is recommended that the rear of the casing is fitted to the wall with anti-pick mastic, as required by the client.



Style T only:
Fit the deflector plate to the wall so that the top front edge is level with, or just below, the door flange.

Step 5



Position the internal sensor and fix to the floor or wall underneath the radiator. Attach the internal valve head or external valve bellows housing to the TRV valve body, ensuring that the capillary is secured to the inside of the end casing at low level and does not touch any hot surface.

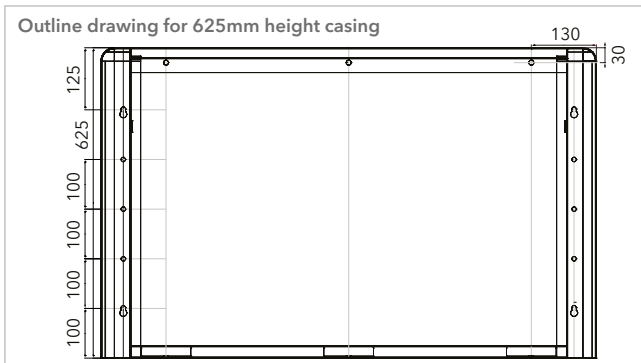
Step 6



Fit the front casing and secure the locks.
Note: Unless otherwise stated, all locks will be keyed identically.

Fixing positions all in mm

Case Height (mm)	Lower key slot	Hole 1	Hole 2	Hole 3	Hole 4	Hole 5	Hole 6	Hole 7	Hole 8	Hole 9	Top Key Slot	Back Rail	Case Weight (kg)										
625	100	200	300	400	n/a	n/a	n/a	n/a	n/a	n/a	500	595											
725	100	200	300	400	500	n/a	n/a	n/a	n/a	n/a	600	695											
825	100	200	300	400	500	600	n/a	n/a	n/a	n/a	700	795											
925	100	200	300	400	500	600	700	n/a	n/a	n/a	800	895											
1025	100	200	300	400	500	600	700	800	n/a	n/a	900	995											
1125	100	200	300	400	500	600	700	800	900	n/a	1000	1095											
1225	100	200	300	400	500	600	700	800	900	1000	1100	1195											



Case Length (mm)	Rear panel (always 30mm down from top) and Base Front (always 37.5mm in from the front), both measured from either end											Rear panel & base fixing Qty
	Near side end	Opposite side end	Hole 1	Hole 2	Hole 3	Hole 4	Hole 5	Hole 6	Hole 7			
700	45	655	130	570	n/a	n/a	n/a	n/a	n/a	n/a	2	
800	45	755	130	400	670	n/a	n/a	n/a	n/a	3		
900	45	855	130	450	770	n/a	n/a	n/a	n/a	3		
1000	45	955	130	500	870	n/a	n/a	n/a	n/a	3		
1100	45	1055	130	550	970	n/a	n/a	n/a	n/a	3		
1200	45	1155	130	600	1070	n/a	n/a	n/a	n/a	3		
1300	45	1255	130	480	830	1180	n/a	n/a	n/a	4		
1400	45	1355	130	510	890	1270	n/a	n/a	n/a	4		
1500	45	1455	130	550	970	1390	n/a	n/a	n/a	4		
1600	45	1555	130	580	1030	1480	n/a	n/a	n/a	4		
1700	45	1655	130	610	1090	1570	n/a	n/a	n/a	4		
1800	45	1755	130	520	910	1300	1690	n/a	n/a	5		
1900	45	1855	130	540	950	1360	1770	n/a	n/a	5		
2100	45	2055	130	590	1050	1510	1970	n/a	n/a	5		
2300	45	2255	130	640	1150	1660	2170	n/a	n/a	5		
2500	45	2455	130	580	1030	1480	1930	2380	n/a	6		
2700	45	2655	130	620	1110	1600	2090	2580	n/a	6		
2900	45	2855	130	570	1010	1450	1890	2330	2770	7		
3100	45	3055	130	610	1090	1570	2050	2530	3010	7		

Secureguard Valve Options

Note: The Secureguard is supplied as standard excluding valves see below for valve options available.

The Secureguard External valve kit

(Code: SG-VALVE KIT-EXT)

The Secureguard External valve kit is an external control and comprises of 1/2" angle pattern presettable valve body, remote sensing phial and TRV head, plus a 1/2" lockshield valve on the return connection. The kit also includes a unique, slim-fitting anti-ligature shroud, dial and fixings.

Note: The External valve kit must be ordered and handing specified Right or Left hand when ordering the Secureguard unit for the TRV aperture.



The Secureguard Internal valve kit

(Code: SG-VALVE KIT-INT)

The Secureguard Internal valve kit is an internal control and comprises of 1/2" angle pattern presettable valve body, remote sensing phial and TRV head, plus a 1/2" angle lockshield on the return connection.



The Secureguard valve kits provided can be fitted to 15mm copper or 1/2" BSP pipework and are not bi-directional the TRV must always be connected to the flow pipework.

Correction factor table

The outputs shown within this brochure are based on BS EN442, 75-65-20°C operating conditions, giving a Δt of 50°C. For Δt 's other than this, a correction factor must be applied. This correction factor table assumes an averaged exponent of 1.30. If a more accurate exponent / correction factor is required, please contact MHS Radiators.

Example: Output required @ 82-71-21°C Δt 55.5 the CF = 1.145, therefore multiply the listed output by the correction factor to give actual radiator output under these operating conditions.

Δt	CF
60	1.267
59	1.24
58	1.213
57	1.186
56	1.159
55.5	1.145
55	1.132
54	1.105
53	1.079
52	1.052
51	1.026
50	1.000
45	0.872
40	0.748
35	0.629

Water Treatment: These products are for use on closed heating systems only; they are not suitable for installation on secondary HWS circuits. On completion of the installation the entire system MUST be thoroughly cleaned and flushed to remove debris/flux residues etc. If a chemical cleanser is used, it must be thoroughly flushed from the system. Following this, the system MUST be dosed with a good eminece water treatment to prevent corrosion. System design, flushing and dosing must be in accordance with BS 5449: 1990, BS EN 12828 & 12831: 2003 and BS 7593: 2006

IMPORTANT: Failure to observe these requirements will render the guarantee on the product void. Corrosion inhibitor must be used in accordance with the manufacturer's instructions and recommendations and should take into account the particular metals within the system.

This publication is issued subject to alteration or withdrawal without notice. The illustrations and specifications are not binding in detail.



MHS Radiators Limited, 3 Juniper West, Fenton Way, Southfields Business Park, Basildon, Essex SS15 6SJ
 Tel: 01268 546700 Fax: 01268 888260
orders@mhsradiators.co.uk enquiries@mhsradiators.co.uk www.mhsradiators.co.uk

